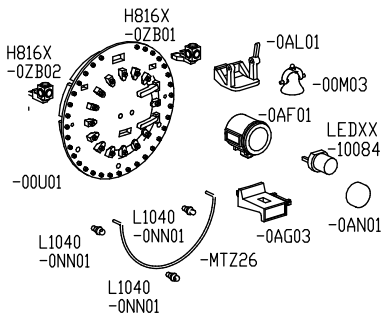
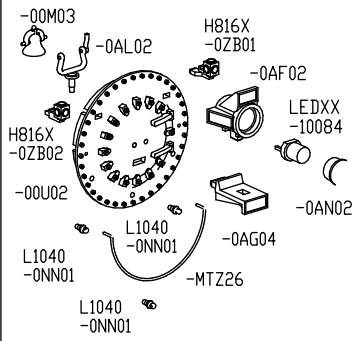


HEAD LIGHT AND BELL PLACEMENT

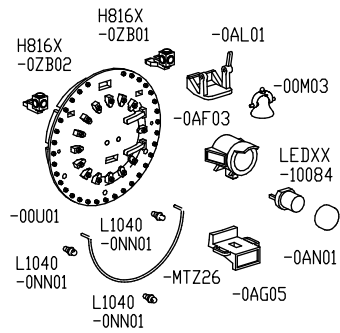
#83801



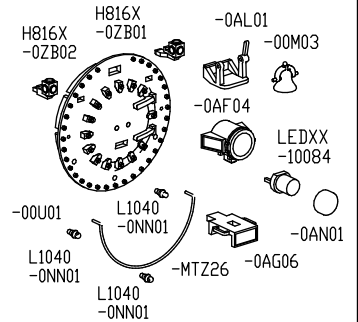
#83803



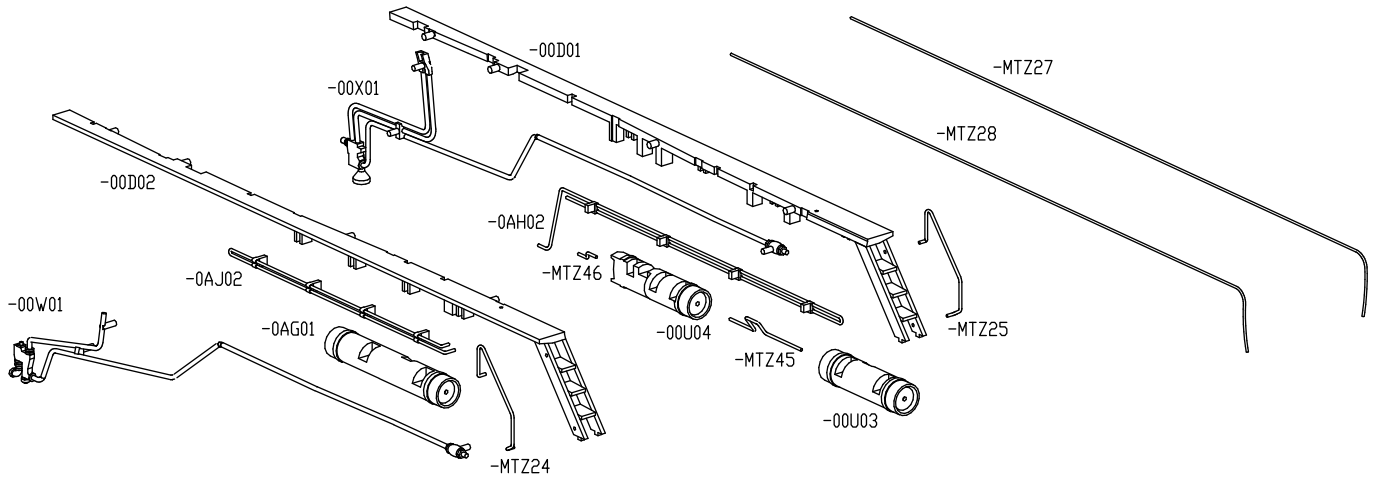
#83802



#83804

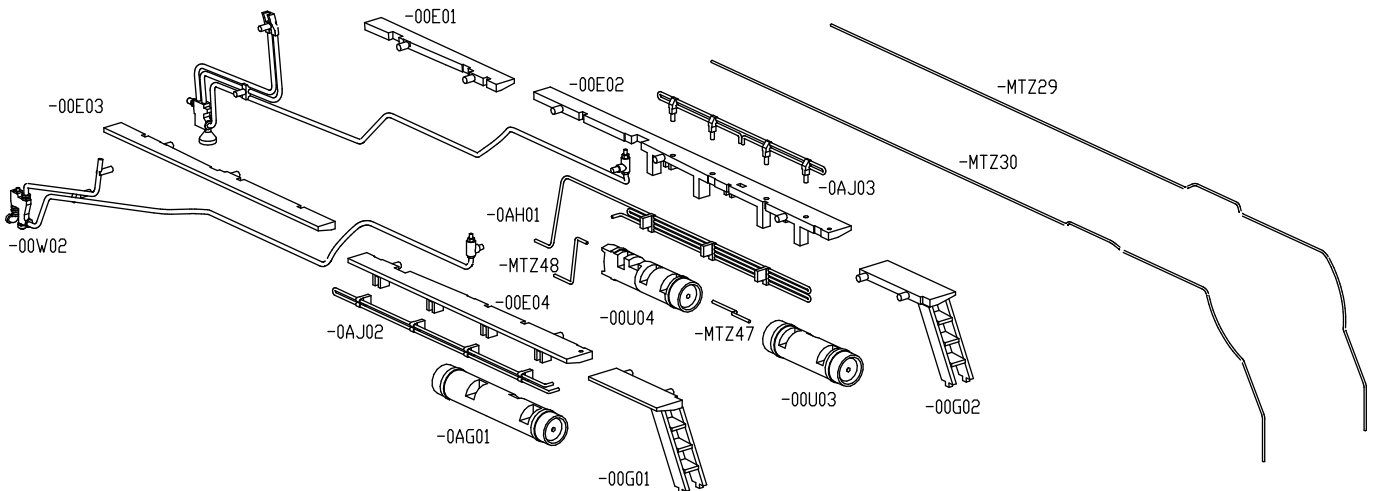


#83801 #83802 #83804



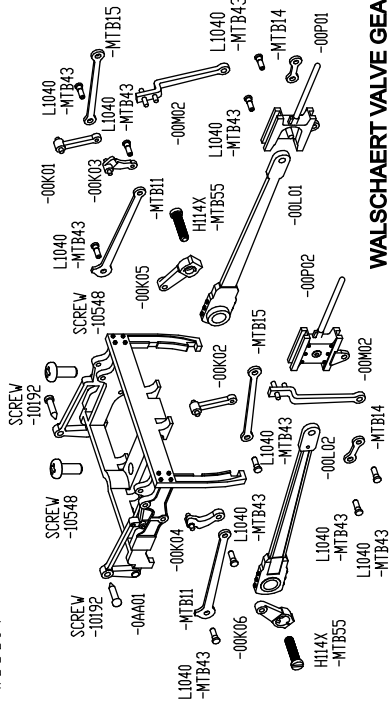
RUNNING BOARD AND BOILER HANDRAIL

#83803



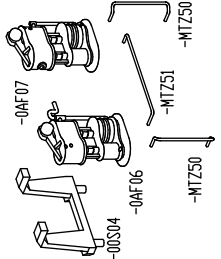
RUNNING BOARD AND BOILER HANDRAIL

#83804



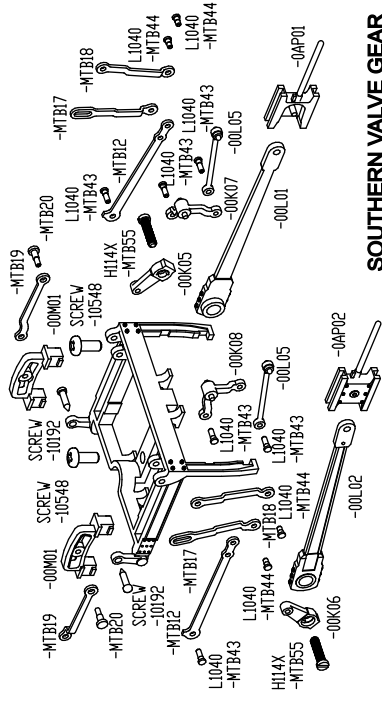
FRONT AIR PUMP

#838



WALSCHAERT VALVE GEAR

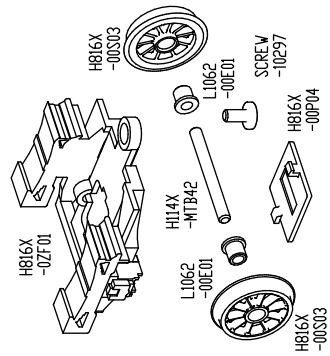
#83801 #83802 #83803



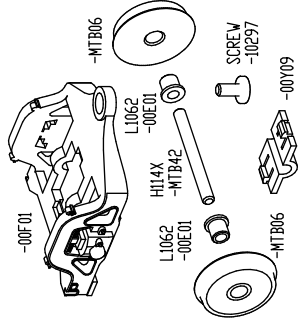
SOUTHERN VALVE GEAR

#83801 #83802

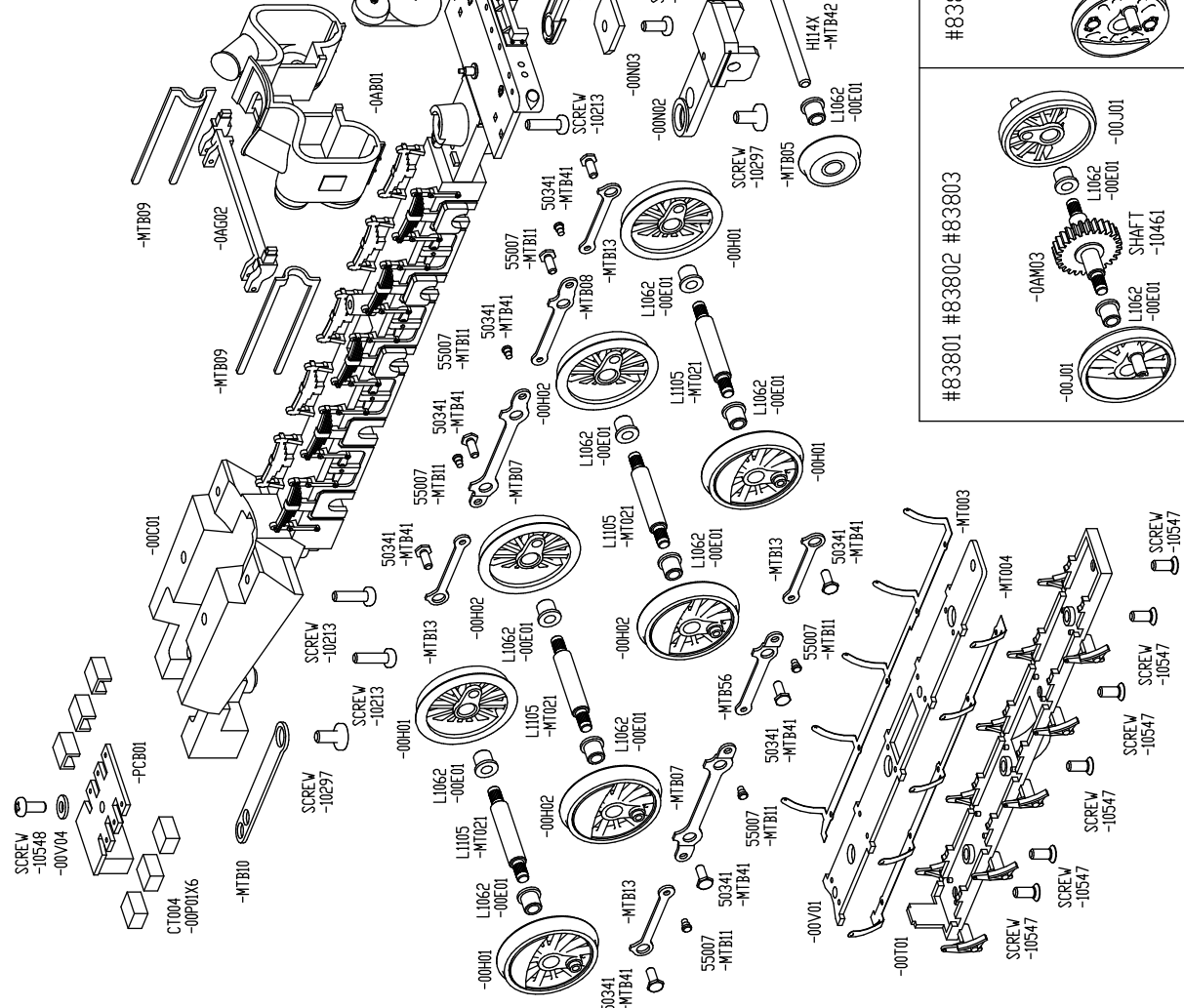
#83803 #83804



USRA TRAILING TRUCK

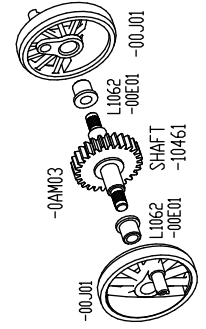


DELTA TRAILING TRUCK



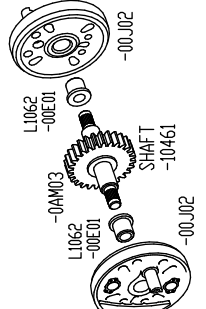
COMMON LOCO CHASSIS

#83801 #83802 #83803



MAIN "SPOKE WHEEL" DRIVER

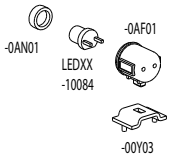
#83804



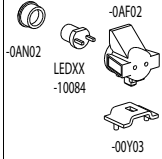
MAIN "DISC TYPE" DRIVER

BACK UP LIGHT

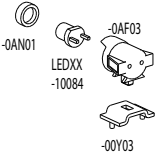
#83801



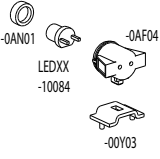
#83803



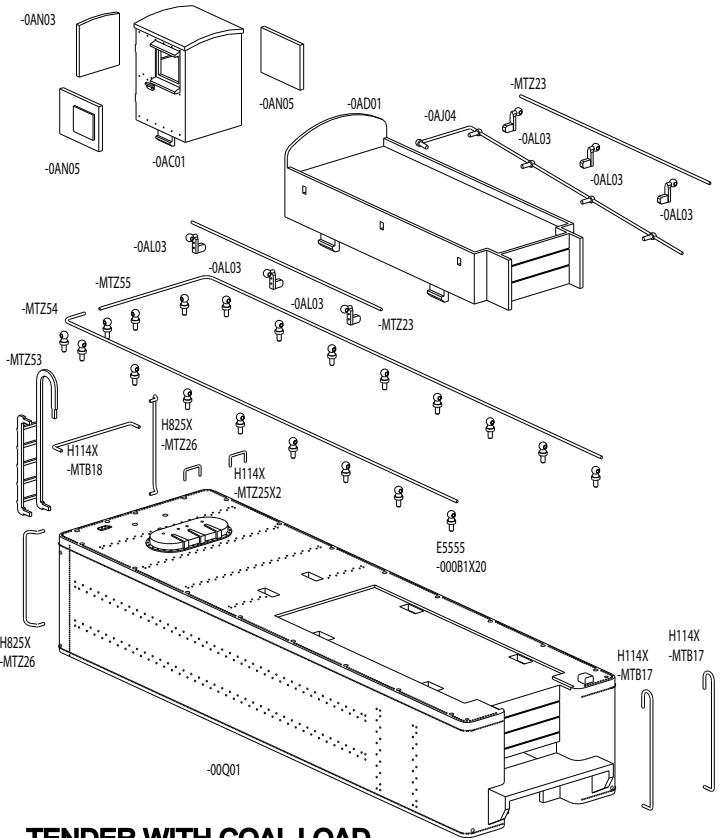
#83802



#83804

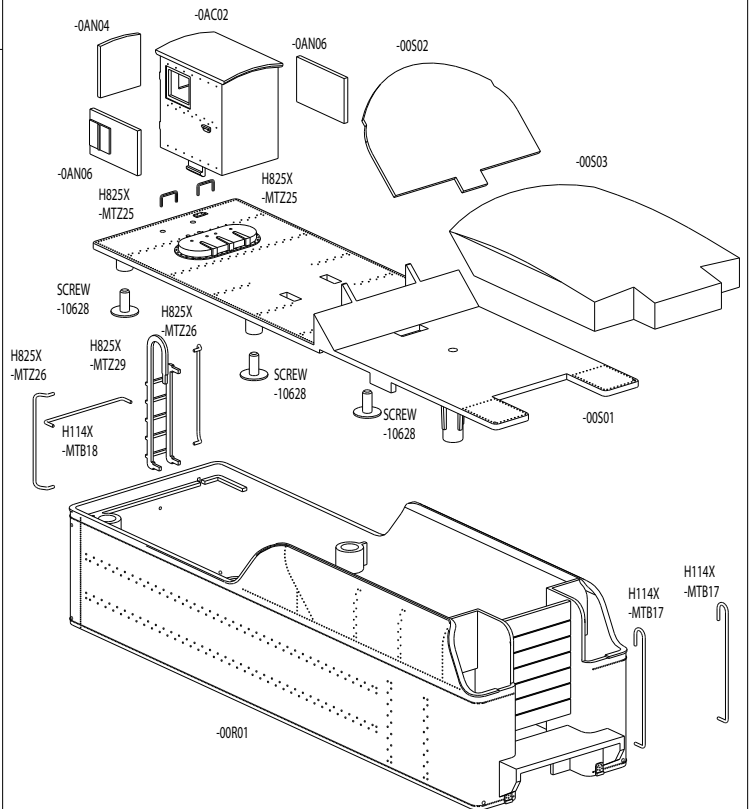


#83803



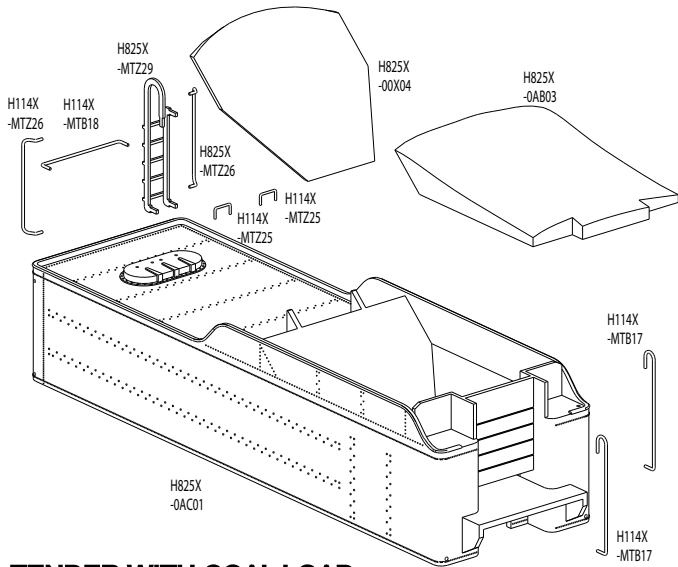
TENDER WITH COAL LOAD

#83802



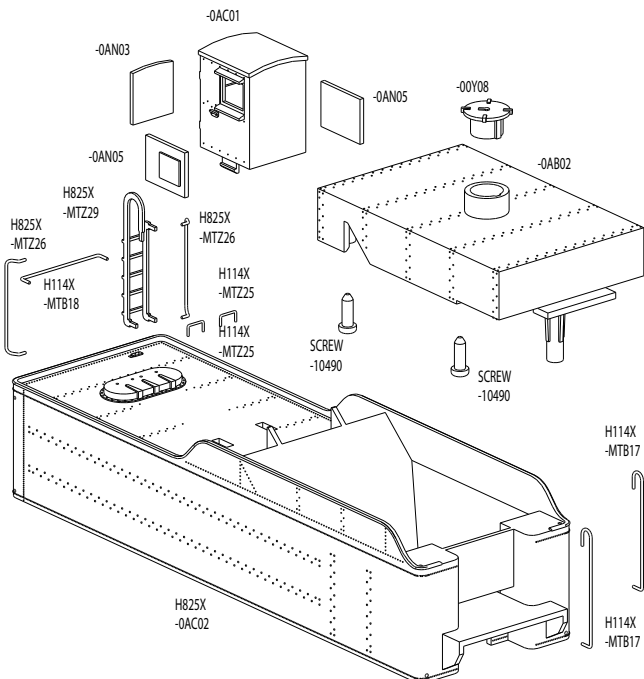
TENDER WITH COAL LOAD

#83801 #83804

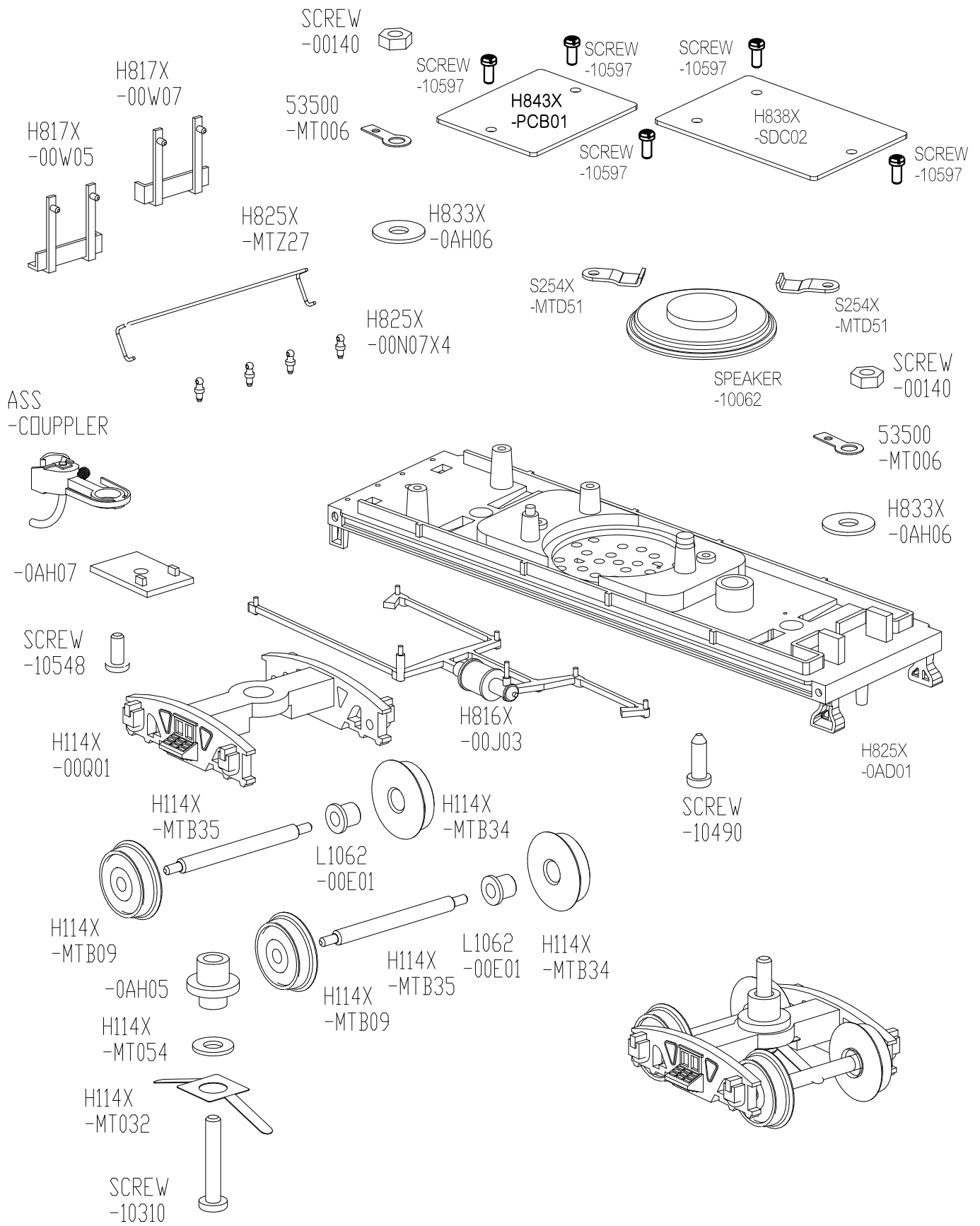


TENDER WITH COAL LOAD

#838



TENDER WITH OIL TANK



COMMON TENDER CHASSIS