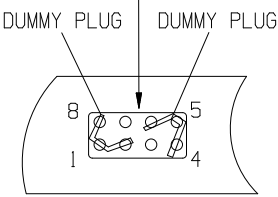


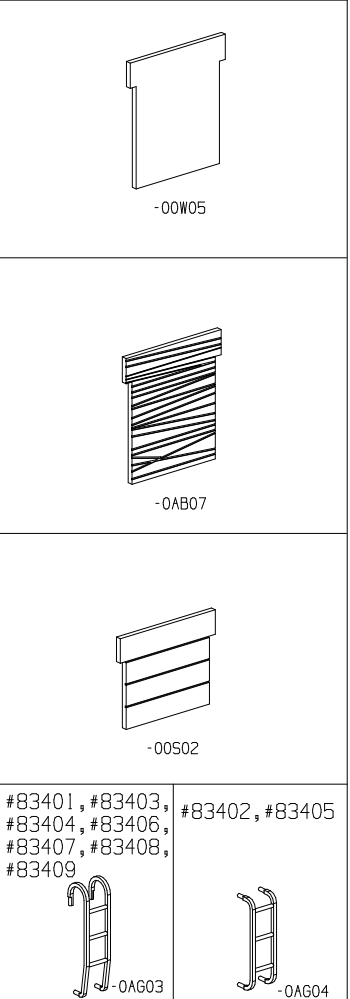
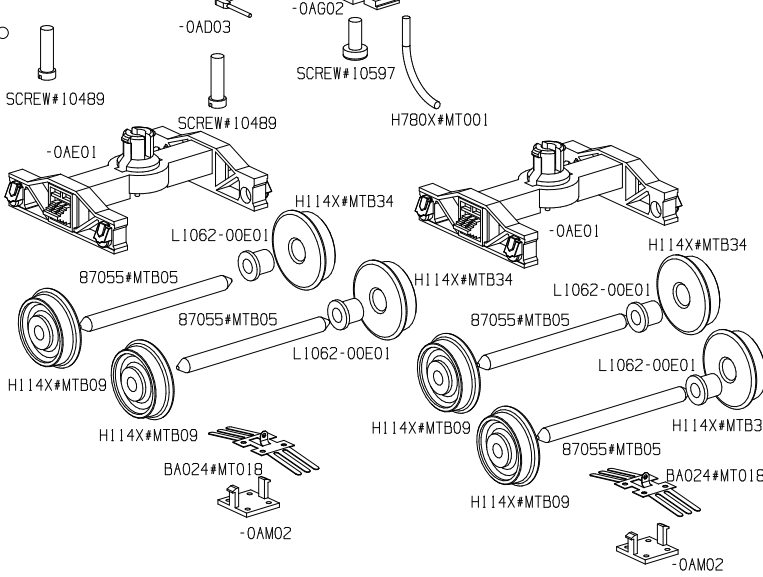
For dummy plug installation:

- a) Remove the decoder,
- b) install the dummy plugs by tool (see following diagram).

CORRECT PLACEMENT OF DUMMY PLUG



Main PC Board



#83401, #83403, #83404, #83406, #83407, #83408, #83409

#83402, #83405