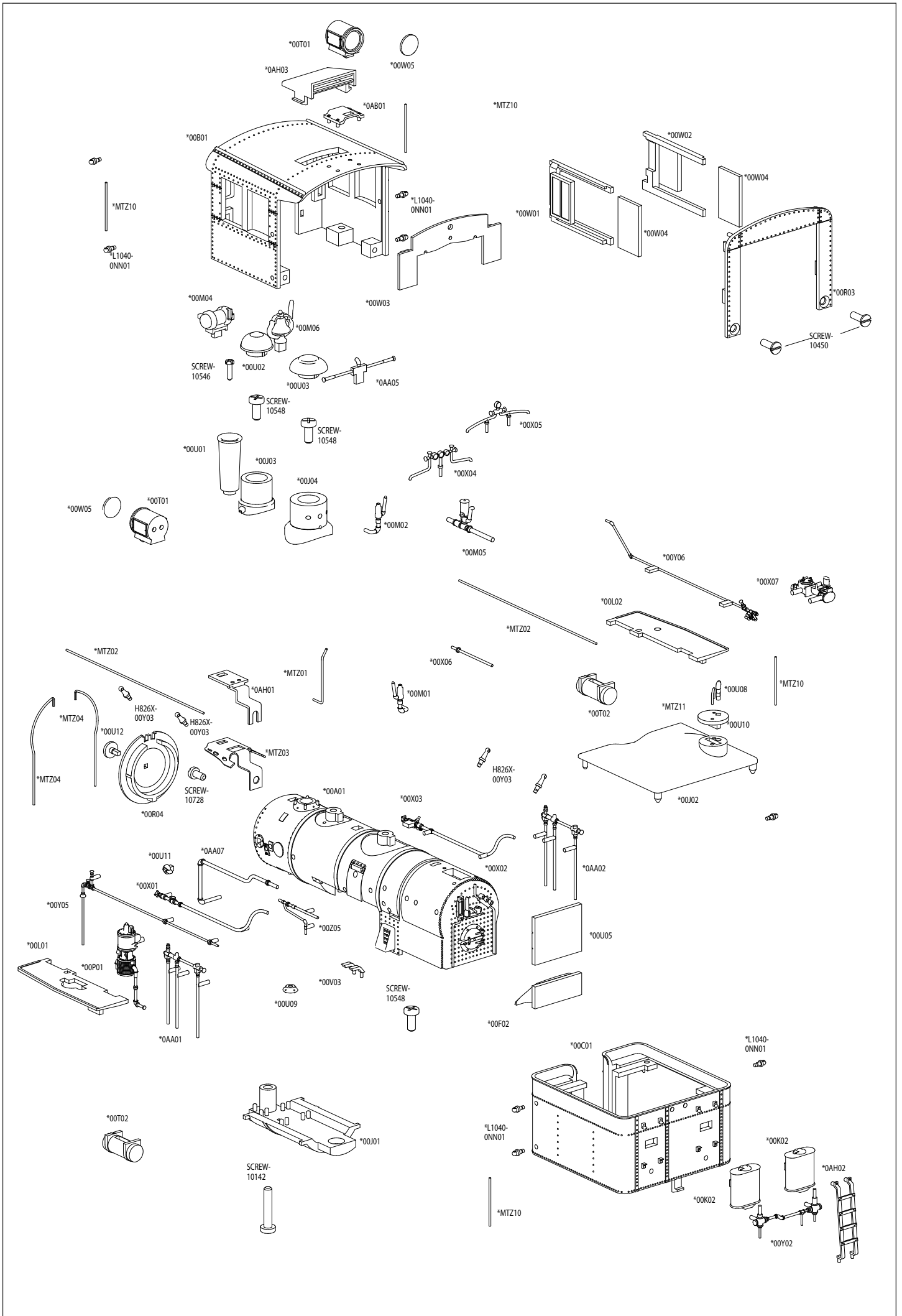
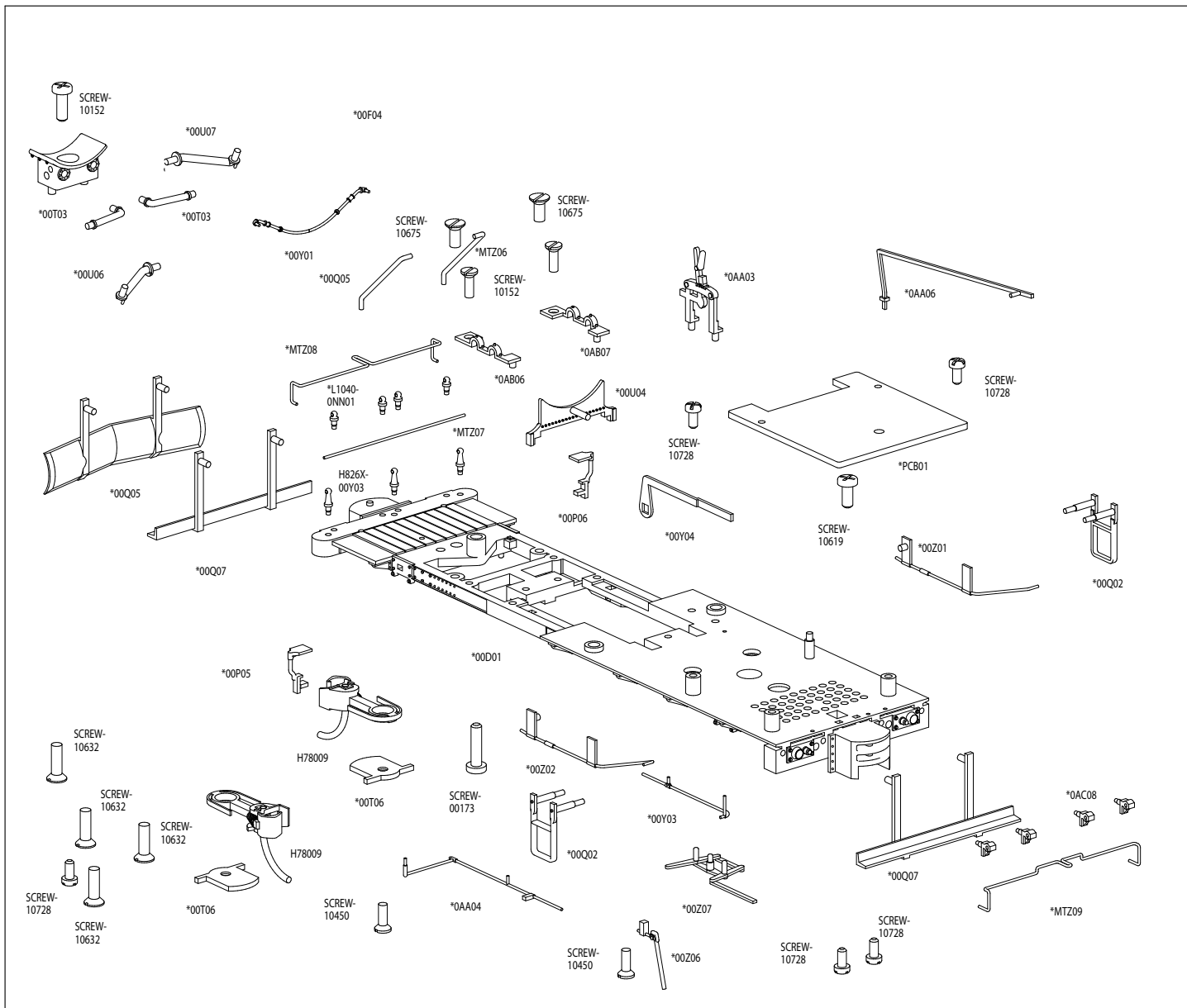


HO CLIMAX LOCO ASSEMBLY

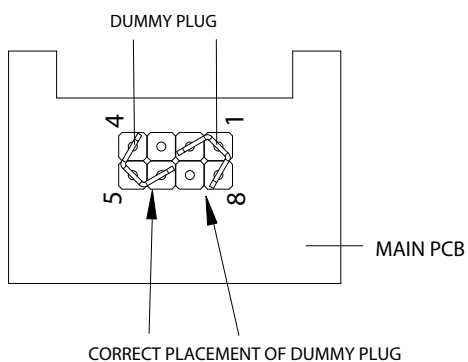


# HO CLIMAX CHASSIS ASSEMBLY

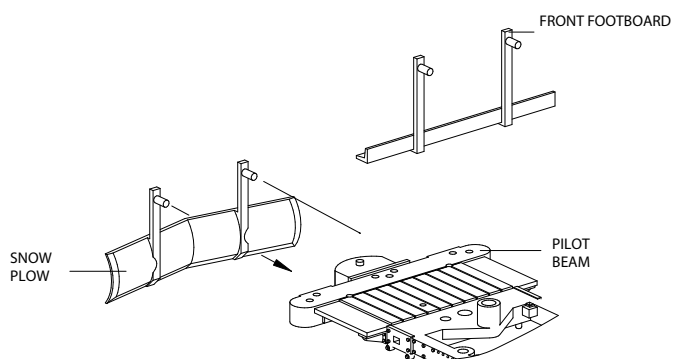
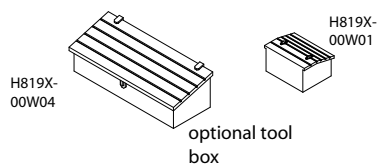


## HO CLIMAX DCC OPERATION INSTRUCTION

- 1) remove the coal load,
- 2) remove two dummy plugs from main PCB,
- 3) install the DCC compatible decoder for DCC operation .



## ACCESSORY PARTS INSTRUCTION



Remove front footboard, and snap the snow plow on the front pilot beam